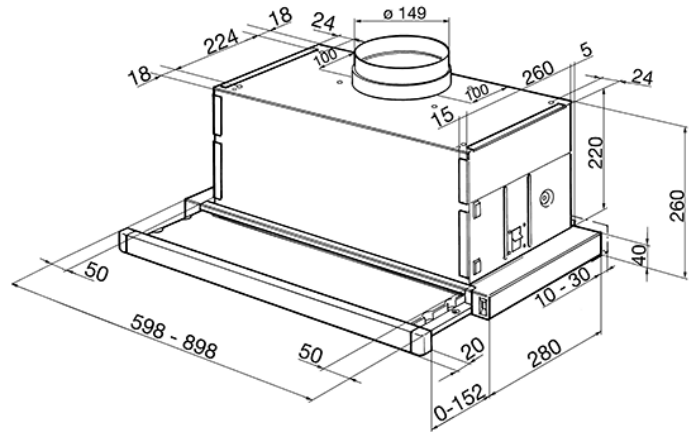


90CM, Integrated Hood, Stainless Steel,
Energy Rating C
EAN13: 8017709203481



• Motor power: 140 W • Free outlet maximum capacity: 620 m³/h • Stopsol glass • Slider commands • 3 speeds • 2 aluminium grease filters • Vent outlet Ø 150 mm • Non return valve • 2 led lamps (1 W) •

Speed	I	II	III
EXTRACTION RATE IEC 61591:	295	435	580
NOISE LEVEL dB(A) IEC 60704-2-13:	52	61	68

• Frequency 50-60 Hz • Voltage 220-240 V