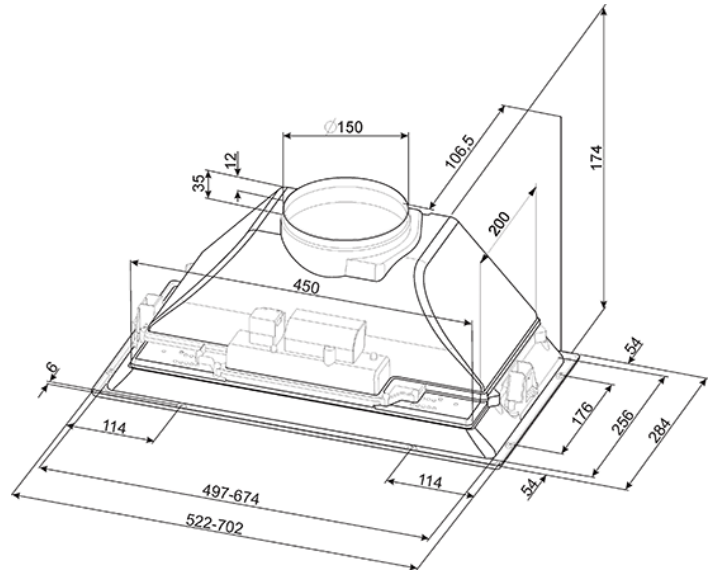


70CM, Integrated Hood, Stainless Steel,  
Energy Rating D  
EAN13: 8017709208691



• Width category: 70-80cm • Extraction: Expulsion • **Controls** • Control setting: Buttons • **Programs / Functions** • No. of speeds: 3 • **Technical Features** • No. of lights: 2 • Light type: LED • Light Power: 2 W • Free outlet maximum capacity: 430 m<sup>3</sup>/h • Motor power: 140 W • No. of filters: 2 • Anti-grease filters: Aluminium • Vent outlet: 150 mm • Minimum distance from GAS hob: 650 mm • Minimum distance from ELECTRIC hob: 650 mm •

Speed	I	II	III
EXTRACTION RATE IEC 61591:	235	330	400
NOISE LEVEL dB(A) IEC 60704-2-13:	57	66	70

• **Accessories Included** • Tube reduction • **Electrical Connection** • Electrical connection rating: 144 W • Voltage: 220-240 V • Frequency (Hz): 50-60 Hz

## Options

- KITFC155 - Charcoal filter