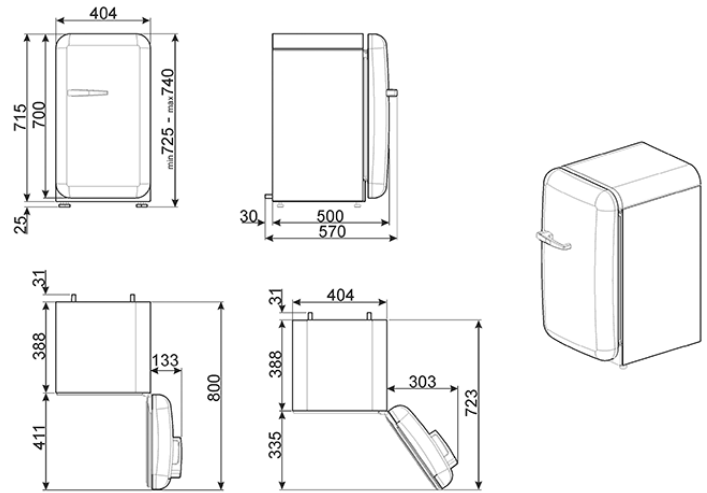


50's Style Refrigerator, Red,
Energy efficiency class A+++
EAN13: 8017709274320



• Hinge type: Standard • Hinge position: Right • **Aesthetics** • Handle: External • Handle type: Fixed • Handle colour: Chrome • Door shelves profile color: Chrome • Drawers profile color: Chrome • Color of glass shelf profile: Chrome • **Refrigerator compartment features** • No. of adjustable shelves: 2 • Type of adjustable shelves: Glass • Internal light in fridge • Type of internal light (fridge): LED • **Refrigerator Inner Door** • Number of adjustable door shelves: 1 • Adjustable door shelves with wire support • No. of bottle shelves: 1 • Bottle shelves with wire support • **Other technical features** • Cooling type: Static • Defrost: Automatic • Type of temperature control: Electronic • **Performance / Energy Label** • Storage volume Cellar compartment: 38 litres • Annual energy consumption: 54 kWh/year • Total storage volume: 34 litres • Fresh Food compartment - Gross Volume: 33 litres • Total gross volume: 38 litres • Climatic class: SN, N, ST, T • Noise level: 40 dB(A) re1 pW • **Electrical Connection** • Electrical connection rating: 60 W • Voltage (V): 220-240 V • Frequency (Hz): 50/60 Hz • Power supply cable length: 100 cm • Plug: Schuko • Dimensions HxWxD (mm) 740x404x500