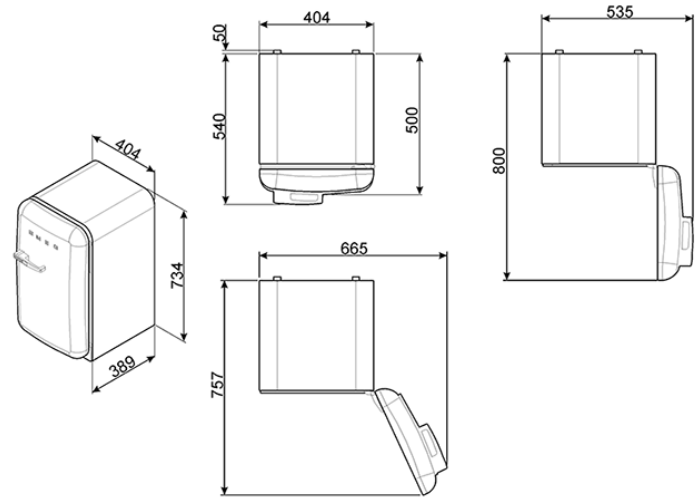


50's Style Refrigerator, Cream,
Energy efficiency class D
EAN13: 8017709225926



• Hinge type: Standard • Hinge position: Right • **Refrigerator compartment features** • No. of adjustable shelves: 2 • Type of adjustable shelves: Glass • Type of internal light (fridge): LED • Internal light in fridge • **Refrigerator Inner Door** • Number of adjustable door shelves: 1 • Adjustable door shelves with wire support • No. of bottle shelves: 1 • Bottle shelves with wire support • **Other technical features** • Cooling type: Static • Defrost: Automatic • **Performance / Energy Label** • Annual energy consumption: 275 KWh • Storage volume fresh food compartment: 31 litres • Total storage volume: 31 • Gross volume fresh food compartment: 33 litres • Climatic class: N • **Electrical Connection** • Electrical connection rating: 60 W • Voltage (V): 220-240 V • Frequency (Hz): 50/60 Hz • Plug: Schuko • Dimensions HxWxD (mm) 734x404x500